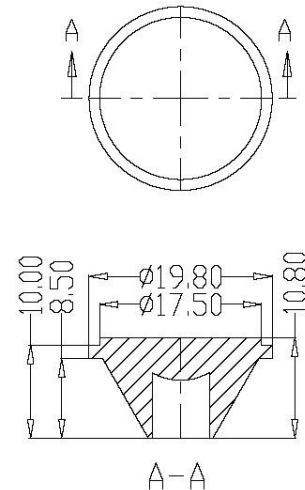


■Features

- 30 ° focusing angle
-
-
-
-

■Applications

- Non Long range Lighting with medium area
-
-
-

■Outline Dimension

■Specification

| Item | Value |
|-------------------|------------|
| Transmittance | 93% |
| Material | PMMA |
| Standard | SGS/ROHS |
| Temperature | -35°C-90°C |
| Surface Treatment | Matt |

■Photos

■ Beam Pattern
